



BoplaFlex

see page 616

Connection

thread: Pg and metric

Material: Polyamide

Colour: Light grey,
similar to RAL 7035

Ingress

protection: IP 68



BoplaFlex

see page 616

Connection

thread: Metric

Material: Brass

Colour: Nickel-plated

Ingress

protection: IP 68



EX glands

see page 618

Connection

thread: Metric

Material: Brass and polyamide

Colour: Nickel-plated and black,
similar to RAL 9005

Ingress

protection: IP 68



EMC glands

see page 618

Connection

thread: Metric

Material: Brass

Colour: Nickel-plated

Ingress

protection: IP 68



BoplaCon

see page 620

Connection

thread: Pg

Material: Brass

Colour: Nickel-plated

Ingress

protection: IP 54 up to IP 65



BoplaCon

see page 622

Connection

thread: Pg and metric

Material: Polyamide

Colour: Light grey,
similar to RAL 7035

Ingress

protection: IP 65



Half cable glands

see page 624

Connection

thread: Pg

Material: Polyamide

Colour: Light grey,
similar to RAL 7035

Ingress

protection: IP 65



**Plug-in cable gland and
flat cable gland**

see page 627

Connection

thread: Pg

Material: Polyamide

Colour: Light grey,
similar to RAL 7035

Ingress

protection: IP 65



Cable gland accessories

see page 628

- Multiple sealing rings
- Counter nuts
- Sealing rings
- Twisting nipples
- Blanking plugs/blind washers
- Blind plugs

BoplaFlex cable glands



BF, MBF

Characteristics:

Integrated strain relief,
large sealing and terminal section,
easy to assemble

Ingress protection: IP 68

Temperature range: -20° C / +100° C

VDE certificate: no. 134176
(MBF only)



BKF, MBFK

Characteristics:

Integrated strain relief, anti-kink
protection, large sealing and
terminal section, easy to assemble

Ingress protection: IP 68

Temperature range: -20° C / +100° C



MSBF

Characteristics:

Integrated strain relief, large seal-
ing and terminal section, easy to
assemble, anti-twist protection

Ingress protection: IP 68

Temperature range: -20° C / +100° C

Cable glands BF / MBF / BFK / MSBF

Pg cable glands made of polyamide

Order designation

Model	Order no.	Connection thread	Cable diameter
BF 7	10000100	Pg 7	3 - 6.5
BF 9	10000200	Pg 9	4 - 8.0
BF 11	10000300	Pg 11	5 - 10.0
BF 13	10000400	Pg 13.5	6 - 12.0
BF 16	10000500	Pg 16	10 - 14.0
BF 21	10000600	Pg 21	13 - 18.0
BF 29	10000700	Pg 29	18 - 25.0
BF 36	10000800	Pg 36	22 - 32.0

Metric cable glands made of polyamide

Order designation

Model	Order no.	Connection thread	Cable diameter
MBF 12	12002100	M 12 x 1.5	3 - 6
MBF 16	12002200	M 16 x 1.5	5 - 10
MBF 20	12002300	M 20 x 1.5	8 - 13
MBF 25	12002400	M 25 x 1.5	11 - 17
MBF 32	12002500	M 32 x 1.5	15 - 21
MBF 40	12002600	M 40 x 1.5	19 - 28

Pg cable glands made of polyamide, with anti-kink protection

Order designation

Model	Order no.	Connection thread	Cable diameter
BFK 7	10001100	Pg 7	3 - 6.5
BFK 9	10001200	Pg 9	4 - 8.0
BFK 11	10001300	Pg 11	5 - 10.0
BFK 13	10001400	Pg 13.5	6 - 12.0
BFK 16	10001500	Pg 16	10 - 14.0
BFK 21	10001600	Pg 21	13 - 18.0

Metric cable glands made of polyamide, with anti-kink protection

Order designation

Model	Order no.	Connection thread	Cable diameter
MBFK 12	12002103	M 12 x 1.5	3 - 6.5
MBFK 16	12002210	M 16 x 1.5	5 - 10.0
MBFK 20-1	12002303	M 20 x 1.5	6 - 12.0
MBFK 20-2	12002306	M 20 x 1.5	10 - 14.0
MBFK 25	12002401	M 25 x 1.5	13 - 18.0

Multiple sealing rings see page 626.

Accessories page 628 ff.

Cable glands MSBF

Metric cable glands made of brass

Order designation

Model	Order no.	Connection thread	Cable diameter
MSBF 12	13002100	M 12 x 1.5	3 - 6.0
MSBF 16	13002200	M 16 x 1.5	5 - 9.0
MSBF 20	13002300	M 20 x 1.5	9 - 13.0
MSBF 25	13002400	M 25 x 1.5	11 - 16.0
MSBF 32	13002500	M 32 x 1.5	14 - 21.0
MSBF 40	13002600	M 40 x 1.5	19 - 27.0

Multiple sealing rings see page 626.

Accessories page 628 ff.

BF / MBF

Model	Pg	Outer Ø		L	SW*	H	E
		Pg	C				
BF 7	Pg 7	12.5	3 – 6.5	8	15	30.5	16.5
BF 9	Pg 9	15.2	4 – 8	8	19	34	21
BF 11	Pg 11	18.6	5 – 10	8	22	37	24.5
BF 13	Pg 13.5	20.4	6 – 12	9	24	39	26.9
BF 16	Pg 16	22.5	10 – 14	10	27	42.5	30
BF 21	Pg 21	28.3	13 – 18	11	33	47.5	36
BF 29	Pg 29	37	18 – 25	11	42	53	46
BF 36	Pg 36	47	22 – 32	13	53	61	59

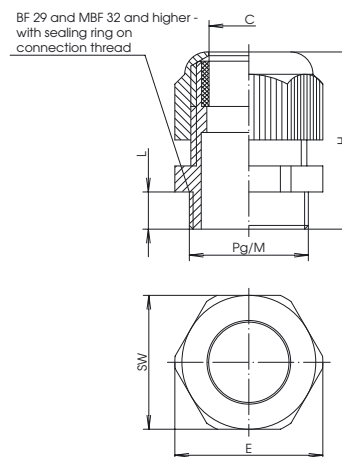
Model	M	C	L	SW*	H	E
MBF 12	M 12 x 1.5	3 – 6	8	15	31	16.5
MBF 16	M 16 x 1.5	5 – 10	8	20	35.5	22
MBF 20	M 20 x 1.5	8 – 13	8	24	36	26.8
MBF 25	M 25 x 1.5	11 – 17	8	29	43	32
MBF 32	M 32 x 1.5	15 – 21	10	36	50	40
MBF 40	M 40 x 1.5	19 – 28	10	46	51	51

Model	Pg	Outer Ø		L	SW*	H	E
		Pg	C				
BFK 7	Pg 7	12.5	3 – 6.5	8	15	63	16.3
BFK 9	Pg 9	15.2	4 – 8	8	19	74	21
BFK 11	Pg 11	18.6	5 – 10	8	22	87	24.5
BFK 13	Pg 13.5	20.4	6 – 12	9	24	98	26.5
BFK 16	Pg 16	22.5	10 – 14	10	27	112	29.5
BFK 21	Pg 21	28.3	13 – 18	11	33	130	36

Model	M	C	L	SW*	H	E
MBFK 12	M 12 x 1.5	3 – 6.5	8	15	63.5	16.3
MBFK 16	M 16 x 1.5	5 – 10	8	22	94.5	24.5
MBFK 20 – 1	M 20 x 1.5	6 – 12	8	24	101.5	26.5
MBFK 20 – 2	M 20 x 1.5	10 – 14	8	27	116	29.5
MBFK 25	M 25 x 1.5	13 – 18	8	33	132.5	36

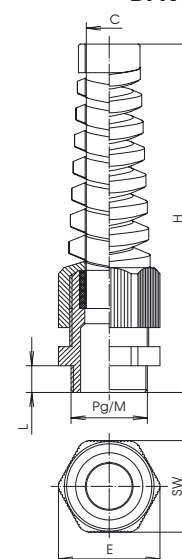
Model	M	C	L	SW*	H	E
MSBF 12	M 12 x 1.5	3 – 6	5	14	25	15.5
MSBF 16	M 16 x 1.5	5 – 9	5	17	30	19
MSBF 20	M 20 x 1.5	9 – 13	6	22	33.5	24
MSBF 25	M 25 x 1.5	11 – 16	7	27	36.5	30
MSBF 32	M 32 x 1.5	14 – 21	8	34	38	36
MSBF 40	M 40 x 1.5	19 – 27	8	43	41	46

* SW = width across flats



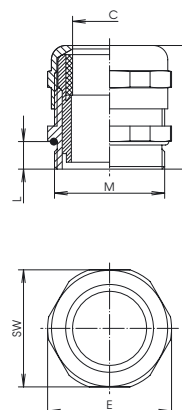
Z-2500609

BFK / MBFK



Z-2501614

MSBF



Z-2501612



EX and EMC cable glands



M-EX ... PA

Characteristics:

Integrated strain relief, large sealing and terminal section, easy to assemble
Ingress protection: IP 66
Temperature range: -30° C / +70° C
Test standard: EN 50014/
EN 50019/EN 50020
EC test certificate: PTB 99 ATEX 3101 X (M 12, M 16)
PTB 99 ATEX 3128 X (M 20 and higher)



M-EX ... MS

Characteristics:

For cables and leads with shielding, integrated strain relief, large sealing and terminal section
Ingress protection: IP 68 - 5 bar
Temperature range: -20° C / +80° C
Test standard: EN 50014/
EN 50019
EC test certificate: DMT 99 ATEX E016



MEMV

Characteristics:

For cables and leads with shielding, fast, easy EMC connection of the screen mesh via the contact spring and the intermediate connection with the enclosure potential. Integrated strain relief, anti-twist protection.
Ingress protection: IP 68
Temperature range: -20° C / +100° C

EX cable glands M-EX



Metric EX cable glands made of polyamide

Order designation

Model	Order no.	Connection thread	Cable diameter
M-EX 12 PA	12202100	M12 x 1.5	4.0 - 7.0
M-EX 16 PA	12202200	M16 x 1.5	5.5 - 10.0
M-EX 20 PA	12202300	M20 x 1.5	5.5 - 13.0
M-EX 25 PA	12202400	M25 x 1.5	8.0 - 17.0
M-EX 32 PA	12202500	M32 x 1.5	12.0 - 21.0
M-EX 40 PA	12202600	M40 x 1.5	17.0 - 28.0

Accessories page 628 ff.

Note:

The cable glands for use in hazardous areas are tested independently of the unit enclosure and are certified as electrical material with EC type-examination certificates in accordance with EU guideline (ATEX). They are suitable for introducing cables and leads into hazardous areas in equipment group II, categories 2 and 3, with gas explosion protection G, and/or in some cases with dust explosion protection D, in ignition protection types EEx e "increased safety" (EN 50019) and EEx i "intrinsic safety" (EN 50020). For ignition protection type EEx i, we can also supply the polyamide cable glands for marking with a blue cap nut.

Metric EX/EMC cable glands made of brass

Order designation

Model	Order no.	Connection thread	Cable diameter
M-EX 12 MS	13102100	M12 x 1.5	3.0 - 6.0
M-EX 16 MS	13102200	M16 x 1.5	5.0 - 9.0
M-EX 20 MS	13102300	M20 x 1.5	6.0 - 12.0
M-EX 25 MS	13102400	M25 x 1.5	11.0 - 16.0
M-EX 32 MS	13102500	M32 x 1.5	14.0 - 21.0
M-EX 40 MS	13102600	M40 x 1.5	19.0 - 27.0

Accessories page 628 ff.

Note:

See M-EX ... PA

EMC cable glands MEMV



Metric EMC cable glands made of brass

Order designation

Model	Order no.	Connection thread	Cable diameter
MEMV 16	12102200	M 16 x 1.5	5.0 - 9.0
MEMV 20	12102300	M 20 x 1.5	9.0 - 13.0
MEMV 25	12102400	M 25 x 1.5	11.0 - 16.0
MEMV 32	12102500	M 32 x 1.5	14.0 - 21.0
MEMV 40	12102600	M 40 x 1.5	19.0 - 27.0

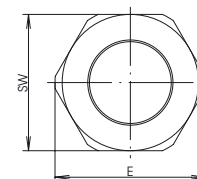
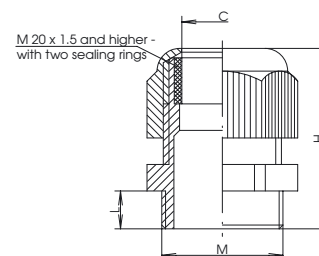
Accessories page 628 ff.

Note:

Cable connections and shield change-overs play an important role in ensuring the EMC compatibility of machines and equipment. The easy-to-assembly EMC cable gland permits continuous contacting. The protective shield is permanently formed over a large area round the enclosure.

M-EX ... PA

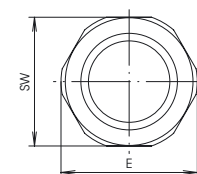
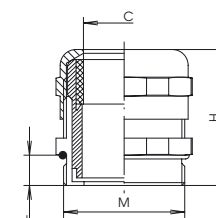
Model	M	C	L	SW*	H	E
M-EX 12 PA	M 12 x 1.5	4 - 7	8	15	31	16.5
M-EX 16 PA	M 16 x 1.5	5.5 - 10	8	20	35.5	22
M-EX 20 PA	M 20 x 1.5	5.5 - 13	8	24	37	26.5
M-EX 25 PA	M 25 x 1.5	8 - 17	8	29	43	32
M-EX 32 PA	M 32 x 1.5	12 - 21	8	36	50	40
M-EX 40 PA	M 40 x 1.5	17 - 28	8	46	51	50.5



Z-2502620

M-EX ... MS

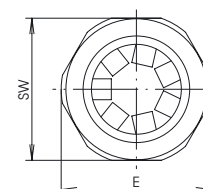
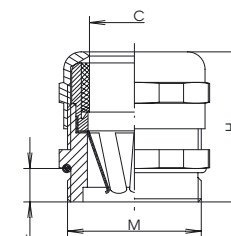
Model	M	C	L	SW*	H	E
M-EX 12 MS	M 12 x 1.5	3 - 6	5	14	25	15.5
M-EX 16 MS	M 16 x 1.5	5 - 9	5	17	30	19
M-EX 20 MS	M 20 x 1.5	6 - 12	6	22	31	24
M-EX 25 MS	M 25 x 1.5	11 - 16	7	27	36.5	30
M-EX 32 MS	M 32 x 1.5	14 - 21	8	34	38	36
M-EX 40 MS	M 40 x 1.5	19 - 27	8	43	41	46



Z-2502621

MEMV

Model	M	C	L	SW*	H	E
MEMV 16	M 16 x 1.5	5 - 9	5	17	30	19
MEMV 20	M 20 x 1.5	9 - 13	6	22	33.5	24
MEMV 25	M 25 x 1.5	11 - 16	7	27	36.5	30
MEMV 32	M 32 x 1.5	14 - 21	8	34	38	36
MEMV 40	M 40 x 1.5	19 - 27	8	43	41	46



Z-2502622

* SW = width across flats

BoplaCon cable glands



MSS

Characteristics:

Industrial cable glands in the style of DIN 46320

Ingress protection: IP 54

Temperature range: -30° C / +110° C



MSD

Characteristics:

Large sealing section, easy to assemble

Ingress protection: IP 65

Temperature range: -30° C / +110° C



MSK

Characteristics:

With clamping cage for strain relief

Ingress protection: IP 65

Temperature range: -20° C / +100° C

MSS cable glands

Pg cable glands made of brass

Order designation

Model	Order no.	Connection thread	Cable diameter
MSS 7	13020100	Pg 7	4 - 6 mm
MSS 9	13020200	Pg 9	6 - 8 mm
MSS 11	13020300	Pg 11	8 - 10 mm
MSS 13	13020400	Pg 13.5	10 - 12 mm
MSS 16	13020500	Pg 16	12 - 14 mm
MSS 21	13020600	Pg 21	15 - 17 mm

Accessories page 628 ff.

Note:

Please order sealing rings DR for connection threads separately. See page 628.

MSD cable glands

Pg cable glands made of brass

Order designation

Model	Order no.	Connection thread	Cable diameter
MSD 7	13040100	Pg 7	4 - 6.5 mm
MSD 9	13040200	Pg 9	5 - 10.0 mm
MSD 11	13040300	Pg 11	7 - 11.5 mm
MSD 13	13040400	Pg 13.5	8 - 15.0 mm
MSD 16	13040500	Pg 16	8 - 15.0 mm

Accessories page 628 ff.

MSK cable glands

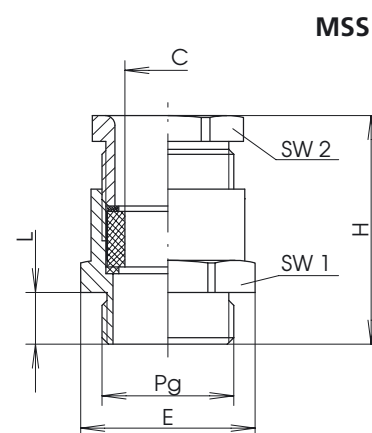
Pg cable glands made of brass

Order designation

Model	Order no.	Connection thread	Cable diameter
MSK 7	13050100	Pg 7	4 - 6 mm
MSK 9	13050200	Pg 9	6 - 8 mm
MSK 11	13050300	Pg 11	8 - 10 mm
MSK 13	13050400	Pg 13.5	10 - 12 mm
MSK 16	13050500	Pg 16	12 - 14 mm
MSK 21	13050600	Pg 21	14 - 18 mm
MSK 29	13050700	Pg 29	18 - 24 mm

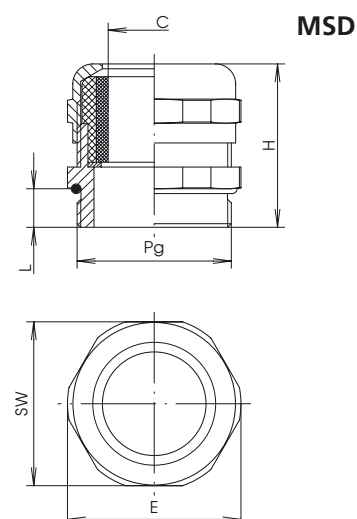
Accessories page 628 ff.

Model	Pg	Outer Ø		L	SW* 1	SW* 2	H	E
		Pg	C					
MSS 7	Pg 7	12.5	4 – 6	5	14	13	21	15.5
MSS 9	Pg 9	15.2	6 – 8	6	17	15	22.5	19
MSS 11	Pg 11	18.6	8 – 10	6	20	18	23.5	22
MSS 13	Pg 13.5	20.4	10 – 12	6.5	22	20	25.5	24.5
MSS 16	Pg 16	22.5	12 – 14	6.5	24	22	26.5	26.5
MSS 21	Pg 21	28.3	15 – 17	7	30	28	29.5	33.5



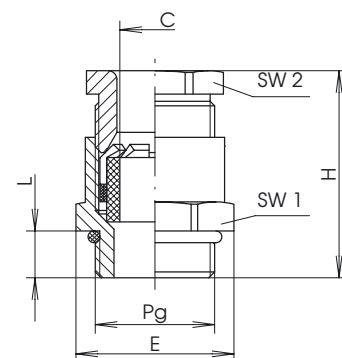
Z-2502656

Model	Pg	Outer Ø		L	SW*	H	E
		Pg	C				
MSD 7	Pg 7	12.5	4 – 6.5	6	14	21.5	16
MSD 9	Pg 9	15.2	4 – 10	6.5	18	24	20.5
MSD 11	Pg 11	18.6	7 – 11.5	6	20	24.5	23
MSD 13	Pg 13	20.4	8 – 15	6	24	27.5	27.5
MSD 16	Pg 16	22.5	8 – 15	6	24	27.5	27.5



Z-2502632

Model	Pg	Outer Ø		L	SW* 1	SW* 2	H	E
		Pg	C					
MSK 7	Pg 7	12.5	4 – 6	6	17	15	25	18
MSK 9	Pg 9	15.2	6 – 8	7	19	17	29	21
MSK 11	Pg 11	18.6	8 – 10	7	22	19	30	24
MSK 13	Pg 13.5	20.4	10 – 12	8	24	22	33	26
MSK 16	Pg 16	22.5	12 – 14	8	27	24	36	29
MSK 21	Pg 21	28.3	14 – 17.5	7	32	30	34	35.5
MSK 29	Pg 29	37	18 – 24	8	41	41	42	45



Z-2502657

* SW = width across flats



BoplaCon cable glands



POZ, MPOZ

Characteristics:

With clamping cage for strain relief
Ingress protection: IP 65
Temperature range: -30° C / +100° C

POZ / MPOZ cable glands

Pg cable glands made of polyamide

Order designation			
Model	Order no.	Connection thread	Cable diameter
POZ 7	12051809	Pg 7	4 - 6 mm
POZ 9	12051909	Pg 9	6 - 8 mm
POZ 11	12052009	Pg 11	8 - 10 mm
POZ 13	12052109	Pg 13	10 - 12 mm
POZ 16	12052209	Pg 16	12 - 14 mm
POZ 21	12052309	Pg 21	14 - 18 mm
POZ 29	12052409	Pg 29	18 - 24 mm

Metric cable glands made of polyamide

Order designation			
Model	Order no.	Connection thread	Cable diameter
MPOZ 12-1	12151800	M 12 x 1.5	4 - 6 mm
MPOZ 12-2	12151900	M 12 x 1.5	6 - 8 mm
MPOZ 16	12152000	M 16 x 1.5	6 - 8 mm
MPOZ 20-1	12152100	M 20 x 1.5	8 - 10 mm
MPOZ 20-2	12152200	M 20 x 1.5	10 - 12 mm
MPOZ 20-3	12152300	M 20 x 1.5	12 - 14 mm
MPOZ 25-2	12152400	M 25 x 1.5	14 - 18 mm
MPOZ 32	12152500	M 32 x 1.5	18 - 24 mm

Accessories page 628 ff.

Note:

Cables and leads which are not held tightly in place are often subject to abrupt strains in everyday use; consequently, leads which are torn out can often cause expensive failures and interruptions to production. Robust cable glands for reliable strain relief are the answer.

Various strain-relief cable glands – also in combination with anti-kink and bend protection elements – provide a high level of safety.

POZB / MPOZB cable glands

Pg cable glands made of polyamide

Order designation			
Model	Order no.	Connection thread	Cable diameter
POZB 7	12052609	Pg 7	4 - 6 mm
POZB 9	12052709	Pg 9	6 - 8 mm
POZB 11	12052809	Pg 11	8 - 10 mm
POZB 13	12052909	Pg 13	10 - 12 mm
POZB 16	12053009	Pg 16	12 - 14 mm
POZB 21	12053109	Pg 21	14 - 18 mm
POZB 29	12053209	Pg 29	18 - 24 mm

Metric cable glands made of polyamide

Order designation			
Model	Order no.	Connection thread	Cable diameter
MPOZB 12-1	12152600	M 12 x 1.5	4 - 6 mm
MPOZB 12-2	12152700	M 12 x 1.5	6 - 8 mm
MPOZB 16	12152800	M 16 x 1.5	6 - 8 mm
MPOZB 20-1	12152900	M 20 x 1.5	8 - 10 mm
MPOZB 20-2	12153000	M 20 x 1.5	10 - 12 mm
MPOZB 20-3	12153100	M 20 x 1.5	12 - 14 mm
MPOZB 25-2	12153200	M 25 x 1.5	14 - 18 mm
MPOZB 32	12153300	M 32 x 1.5	18 - 24 mm

Accessories page 628 ff.

Note:

See POZ ... / MPOZ ...



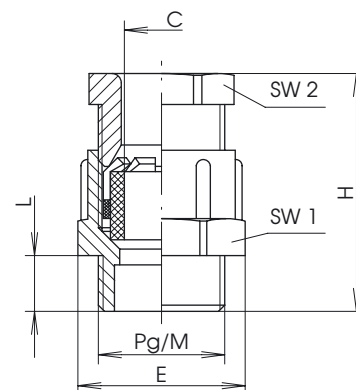
POZB, MPOZB

Characteristics:

With clamping cage for strain relief and anti-kink grommet
Ingress protection: IP 65
Temperature range: -30° C / +100° C

(M)POZ

Model	Pg	Outer Ø		C	L	SW* 1	SW* 2	H	E
		Pg							
POZ 7	Pg 7	12.5		4 – 6	8	15	13	29	16.5
POZ 9	Pg 9	15.2		6 – 8	8	19	16	32	21
POZ 11	Pg 11	18.6		8 – 10	8	22	19	32.5	25
POZ 13	Pg 13.5	20.4		10 – 12	9	24	21	38	27
POZ 16	Pg 16	22.5		12 – 14	10	27	23	39	29.5
POZ 21	Pg 21	28.3		14 – 18	11	32	30	44.5	35.5
POZ 29	Pg 29	37		18 – 24	11	42	40	47	45.5

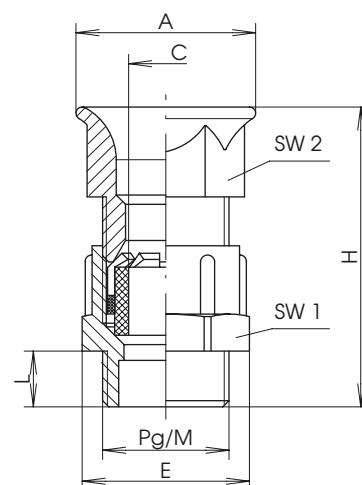


Z-2502623

Model	M	C	L	SW* 1	SW* 2	H	E
MPOZ 12 – 1	M 12 x 1.5	4 – 6	8	15	13	39	16.5
MPOZ 12 – 2	M 12 x 1.5	6 – 8	11	19	16	46	20.5
MPOZ 16	M 16 x 1.5	6 – 8	11	19	16	46	20.5
MPOZ 20 – 1	M 20 x 1.5	8 – 10	11	22	19	48.5	24.5
MPOZ 20 – 2	M 20 x 1.5	10 – 12	11	24	21	48.5	26
MPOZ 20 – 3	M 20 x 1.5	12 – 14	11	27	23	52	29.5
MPOZ 25 – 2	M 25 x 1.5	14 – 18	11	32	30	56	35.5
MPOZ 32	M 32 x 1.5	18 – 24	11	42	40	60.5	45.5

(M)POZB

Model	Pg	Outer Ø		C	L	SW* 1	SW* 2	H	E	A
		Pg								
POZB 7	Pg 7	12.5		4 – 6	8	15	13	36	16.4	18
POZB 9	Pg 9	15.2		6 – 8	8	19	17	38	21	22
POZB 11	Pg 11	18.6		8 – 10	8	22	19	43	25	26
POZB 13	Pg 13.5	20.4		10 – 12	9	24	22	46.5	27	29
POZB 16	Pg 16	22.5		12 – 14	10	27	24	51	29.5	32
POZB 21	Pg 21	28.3		14 – 18	11	32	30	54.5	35.5	38
POZB 29	Pg 29	37		18 – 24	11	42	41	60	45.5	49



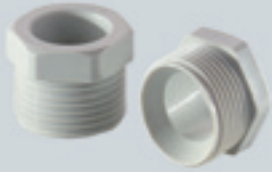
Z-2502624

Model	M	C	L	SW* 1	SW* 2	H	E	A
MPOZB 12 – 1	M 12 x 1.5	4 – 6	8	15	13	45	16.5	18
MPOZB 12 – 2	M 12 x 1.5	6 – 8	11	19	17	52	20.5	22
MPOZB 16	M 16 x 1.5	6 – 8	11	19	17	52	20.5	22
MPOZB 20 – 1	M 20 x 1.5	8 – 10	11	22	19	58.5	24.5	26
MPOZB 20 – 2	M 20 x 1.5	10 – 12	11	24	22	58.5	26	29
MPOZB 20 – 3	M 20 x 1.5	12 – 14	11	27	24	63	29.5	32
MPOZB 25 – 2	M 25 x 1.5	14 – 18	11	32	30	65	35.5	38
MPOZB 32	M 32 x 1.5	18 – 24	11	42	41	73	45.5	49

* SW = width across flats



BoplaCon cable glands Individual parts



DZP

Polyamide pressure screw designed for half cable glands with clamping cage KK and rubber seal GD.



TZP

Polyamide pressure screw with anti-bend protection designed for half cable glands with clamping cage KK and rubber seal GD.



KK

Clamping cage made of high-temperature resistant Hostaform material for optimal strain relief. For use in connection with the DZP or TZP.



GD

Nitrite-rubber seal for clamping cage KK to provide your half cable gland with a certain degree of IP protection.

DZP pressure screws for half cable glands

Pg pressure screws made of polyamide

Order designation

Model	Order no.	Connection thread
DZP 7	12091129	Pg 7
DZP 9	12091229	Pg 9
DZP 11	12091329	Pg 11
DZP 13	12091429	Pg 13.5
DZP 16	12091529	Pg 16
DZP 21	12091629	Pg 21
DZP 29	12091729	Pg 29

TZP anti-kink protection pressure screws for half cable glands

Pg anti-kink protection pressure screws made of polyamide

Order designation

Model	Order no.	Connection thread
TZP 7	12091139	Pg 7
TZP 9	12091239	Pg 9
TZP 11	12091339	Pg 11
TZP 13	12091439	Pg 13.5
TZP 16	12091539	Pg 16
TZP 21	12091639	Pg 21
TZP 29	12091739	Pg 29

KK clamping cages for half cable glands

Hostaform clamping cages

Order designation

Model	Order no.	Description
KK 7	52040039	for DZP/TZP 7
KK 9	52040139	for DZP/TZP 9
KK 11	52040219	for DZP/TZP 11
KK 13	52040319	for DZP/TZP 13
KK 16	52040449	for DZP/TZP 16
KK 21	52040539	for DZP/TZP 21
KK 29	52040639	for DZP/TZP 29

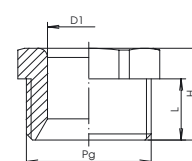
GD sealing rings for clamping cage

Sealing rings made of nitrite-rubber

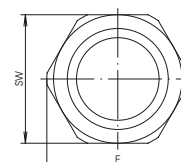
Order designation

Model	Order no.	Description
GD 7	52040029	for KK 7
GD 9	52040119	for KK 9
GD 11	52040229	for KK 11
GD 13	52040329	for KK 13
GD 16	52040429	for KK 16
GD 21	52040529	for KK 21
GD 29	52040629	for KK 29

Model	Pg	D 1	L	SW*	H	E	For use with	
							POZ	MPOZ
DZP 7	Pg 7	7	8	13	13	14.2	POZ 7	MPOZ 12 - 1
DZP 9	Pg 9	10	9	16	14	17	POZ 9	MPOZ 12 - 2; MPOZ 16
DZP 11	Pg 11	11.5	10	19	15	21	POZ 11	MPOZ 20 - 1
DZP 13	Pg 13.5	13.5	10	21	15	23.2	POZ 13	MPOZ 20 - 2
DZP 16	Pg 16	16	11	23	17	25	POZ 16	MPOZ 20 - 3
DZP 21	Pg 21	19.5	14	30	20	32	POZ 21	MPOZ 25 - 2
DZP 29	Pg 29	25.5	14	40	21.5	43	POZ 29	MPOZ 32

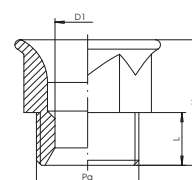


DZP

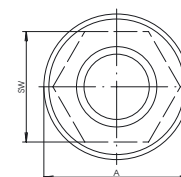


Z-2502625

Model	Pg	D 1	L	SW*	H 1	A	For use with	
							POZ	MPOZ
TZP 7	Pg 7	6.5	8.5	13	20.5	18	POZ 7	MPOZ 12 - 1
TZP 9	Pg 9	9	8.5	17	21	22	POZ 9	MPOZ 12 - 2; MPOZ 16
TZP 11	Pg 11	11	10	19	24	26	POZ 11	MPOZ 20 - 1
TZP 13	Pg 13.5	13	10.5	22	25	29	POZ 13	MPOZ 20 - 2
TZP 16	Pg 16	15	11.5	24	28	32	POZ 16	MPOZ 20 - 3
TZP 21	Pg 21	19	13	30	29.5	38	POZ 21	MPOZ 25 - 2
TZP 29	Pg 29	25	14	41	34	49	POZ 29	MPOZ 32



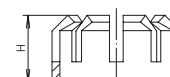
TZP



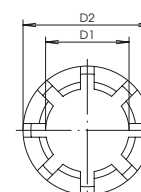
Z-2502626

* SW = width across flats

Model	D 1	D 2	H	For use with	
				POZ	MPOZ
KK 7	6.3	11.1	7.1	POZ 7	MPOZ 12 - 1
KK 9	8	13.6	8.5	POZ 9	MPOZ 12 - 2; MPOZ 16
KK 11	10	17	9.4	POZ 11	MPOZ 20 - 1
KK 13	12.2	18.8	9.8	POZ 13	MPOZ 20 - 2
KK 16	14	20.9	10.4	POZ 16	MPOZ 20 - 3
KK 21	15	25.7	12.6	POZ 21	MPOZ 25 - 2
KK 29	25.1	35.5	14	POZ 29	MPOZ 32

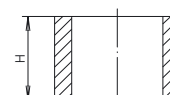


KK

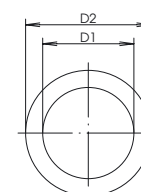


Z-2502627

Model	D 1	D 2	H	For use with	
				POZ	MPOZ
GD 7	6.2	9.4	8	POZ 7	MPOZ 12 - 1
GD 9	9	12	8	POZ 9	MPOZ 12 - 2; MPOZ 16
GD 11	10	13.5	10	POZ 11	MPOZ 20 - 1
GD 13	12	16.5	11	POZ 13	MPOZ 20 - 2
GD 16	14	18.5	11	POZ 16	MPOZ 20 - 3
GD 21	18	22	12	POZ 21	MPOZ 25 - 2
GD 29	24.2	32.7	11.5	POZ 29	MPOZ 32



GD



Z-2502628

BoplaCon cable glands Individual parts



MZI 9

Characteristics:

Ingress protection: IP 65
 Temperature range: -20° C / +100° C



GD / MGD

MZI cable glands

Pg cable glands made of polyamide, flat design for internal assembly

Order designation

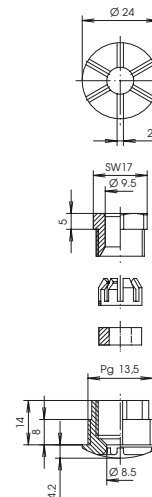
Model	Order no.	Connection thread	Cable diameter
MZI 9	12060200	Pg 13.5	6 - 8 mm

Accessory: Counter nut GM(S) 13 (Pg 13.5) see page 628.

Note:

This cable gland with strain relief and IP 65 ingress protection has been designed specifically for "internal assembly". Its flat construction (approx. 3 mm) allows it to be used where little external space is available.

In this case, the clamping of the cable with the aid of the pressure screw must take place "internally".



Z-2502607

GD multiple sealing rings for BoplaFlex cable glands

Multiple sealing rings made of Evoprene TPE for BF, BFK and MBFK cable glands

Order designation

Model	Order no.	For use with
GD 9/2x3	52140010	BF 9 / BFK 9
GD 11/2x3	52140020	BF 11 / BFK 11 / MBFK 16
GD 11/2x4	52140030	BF 11 / BFK 11 / MBFK 16
GD 11/3x3	52140040	BF 11 / BFK 11 / MBFK 16
GD 11/4x3	52140050	BF 11 / BFK 11 / MBFK 16
GD 13/2x5	52140060	BF 13 / BFK 13 / MBFK 20-1
GD 13/2x6	52140070	BF 13 / BFK 13 / MBFK 20-1
GD 13/3x5	52140080	BF 13 / BFK 13 / MBFK 20-1
GD 16/2x6	52140090	BF 16 / BFK 16 / MBFK 20-2
GD 16/3x6.5	52140100	BF 16 / BFK 16 / MBFK 20-2
GD 16/4x4	52140110	BF 16 / BFK 16 / MBFK 20-2
GD 16/4x5	52140120	BF 16 / BFK 16 / MBFK 20-2
GD 21/2x9	52140130	BF 21 / BFK 21 / MBFK 25
GD 21/3x7	52140140	BF 21 / BFK 21 / MBFK 25
GD 21/3x8	52140150	BF 21 / BFK 21 / MBFK 25
GD 21/4x7	52140160	BF 21 / BFK 21 / MBFK 25

Multiple sealing rings made of Evoprene TPE for MBF and MSBF cable glands

Order designation

Model	Order no.	For use with
MGD 16/2x4	52150010	MBF 16 / MSBF 16
MGD 20/4x5	52150020	MBF 20 / MSBF 20
MGD 20/2x6	52150030	MBF 20 / MSBF 20
MGD 25/2x6	52150040	MBF 25 / MSBF 25
MGD 25/2x8	52150050	MBF 25 / MSBF 25
MGD 25/3x7	52150060	MBF 25 / MSBF 25
MGD 25/4x6.5	52150070	MBF 25 / MSBF 25
MGD 25/6x4	52150080	MBF 25 / MSBF 25
MGD 32/4x8	52150090	MBF 32 / MSBF 32
MGD 32/6x6	52150100	MBF 32 / MSBF 32
MGD 40/4x10	52150110	MBF 40 / MSBF 40
MGD 40/8x6.5	52150120	MBF 40 / MSBF 40

PST plug-in cable glands

Pg plug-in cable glands made of polyamide

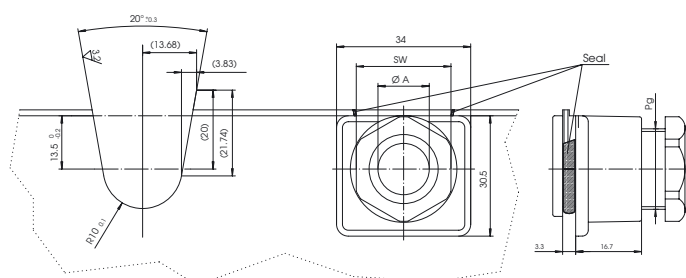
Order designation

Model	Order no.	Connection thread	Clamping area	SW*
PST 13 IP	12060600	Pg 13.5	ØA: 10 - 12 mm	22
PST 16 IP	12060700	Pg 16	ØA: 12 - 14 mm	24

* SW = width across flats

Note:

BOPLA's polyamide plug-in cable gland with IP 65 ingress protection has the following advantages: prefabricated cable, i.e. cables with fitted terminals and plug-in cable gland can easily be connected to the electronic units in the enclosure. In addition, a complete installation unit including cable/plug-in cable gland can be fitted and disassembled.



Z-2501908



PST

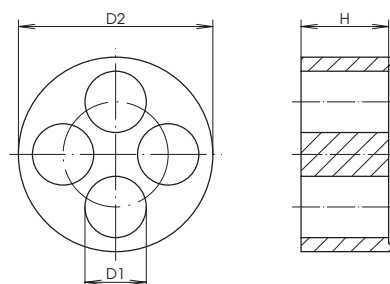
Characteristics:

Ingress protection: IP 65

Temperature range: -20° C / +100° C

GD / MGD

Model	n x D 1	D 2	H
GD 9 / 2 x 3	2 x Ø 3	10.6	7.5
GD 11 / 2 x 3	2 x Ø 3	13.3	8.5
GD 11 / 2 x 4	2 x Ø 4	13.3	8.5
GD 11 / 3 x 3	3 x Ø 3	13.3	8.5
GD 11 / 4 x 3	4 x Ø 3	13.3	8.5
GD 13 / 2 x 5	2 x Ø 5	15.3	8.5
GD 13 / 2 x 6	2 x Ø 6	15.3	8.5
GD 13 / 3 x 5	3 x Ø 5	15.3	8.5
GD 16 / 2 x 6	2 x Ø 6	17.4	9
GD 16 / 3 x 6.5	3 x Ø 6.5	17.4	9
GD 16 / 4 x 4	4 x Ø 4	17.4	9
GD 16 / 4 x 5	4 x Ø 5	17.4	9
GD 21 / 2 x 9	2 x Ø 9	22.2	11
GD 21 / 3 x 7	3 x Ø 7	22.2	11
GD 21 / 3 x 8	3 x Ø 8	22.2	11
GD 21 / 4 x 7	4 x Ø 7	22.2	11



Z-2502631

Model	n x D 1	D 2	H
MGD 16 / 2 x 4	2 x Ø 4	11.7	7.6
MGD 20 / 4 x 5	4 x Ø 5	15.1	7.5
MGD 20 / 2 x 6	2 x Ø 6	15.1	7.5
MGD 25 / 2 x 6	2 x Ø 6	19.8	9.3
MGD 25 / 2 x 8	2 x Ø 8	19.8	9.3
MGD 25 / 3 x 7	3 x Ø 7	19.8	9.3
MGD 25 / 4 x 6.5	4 x Ø 6.5	19.8	9.3
MGD 25 / 6 x 4	6 x Ø 4	19.8	9.3
MGD 32 / 4 x 8	4 x Ø 8	25.1	12.5
MGD 32 / 6 x 6	6 x Ø 6	25.1	12.5
MGD 40 / 4 x 10	4 x Ø 10	32.3	15
MGD 40 / 8 x 6.5	8 x Ø 6.5	32.3	15



Cable glands Accessories



GM

Polyamide counter nut for all cable glands with Pg or metric connection threads.



GMS / MGMS

Brass counter nut for all cable glands with Pg or metric connection threads.



DR

Sealing rings for Pg- or metric-type connection threads.

GM / MGM counter nuts

Pg counter nuts made of polyamide

Order designation

Model	Order no.	For connection threads	Width across flats
GM 7	52080100	Pg 7	SW 19
GM 9	52080200	Pg 9	SW 22
GM 11	52080300	Pg 11	SW 24
GM 13	52080400	Pg 13.5	SW 27
GM 16	52080500	Pg 16	SW 30
GM 21	52080600	Pg 21	SW 36
GM 29	52080700	Pg 29	SW 46
GM 36	52080800	Pg 36	SW 60

Metric counter nuts made of polyamide

Order designation

Model	Order no.	For connection threads	Width across flats
MGM 12	52090100	M 12 x 1.5	SW 17
MGM 16	52090200	M 16 x 1.5	SW 22
MGM 20	52090300	M 20 x 1.5	SW 26
MGM 25	52090400	M 25 x 1.5	SW 32
MGM 32	52090500	M 32 x 1.5	SW 41
MGM 40	52090600	M 40 x 1.5	SW 50

GMS / MGMS counter nuts

Pg counter nuts made of brass

Order designation

Model	Order no.	For connection threads	Width across flats
GMS 7	13150100	Pg 7	SW 15
GMS 9	13150200	Pg 9	SW 18
GMS 11	13150300	Pg 11	SW 21
GMS 13	13150400	Pg 13.5	SW 23
GMS 16	13150500	Pg 16	SW 26
GMS 21	13150600	Pg 21	SW 32
GMS 29	13150700	Pg 29	SW 41
GMS 36	13150800	Pg 36	SW 51

Metric counter nuts made of brass

Order designation

Model	Order no.	For connection threads	Width across flats
MGMS 12	13160100	M 12 x 1.5	SW 15
MGMS 16	13160200	M 16 x 1.5	SW 19
MGMS 20	13160300	M 20 x 1.5	SW 24
MGMS 25	13160400	M 25 x 1.5	SW 30
MGMS 32	13160500	M 32 x 1.5	SW 36
MGMS 40	13160600	M 40 x 1.5	SW 46

DR sealing rings

Nitrite-rubber sealing rings for Pg-type connection threads

Order designation

Model	Order no.	For connection threads
DR 7	52030000	Pg 7
DR 9	52030100	Pg 9
DR 11	52030200	Pg 11
DR 13	52030300	Pg 13
DR 16	52030400	Pg 16
DR 21	52030500	Pg 21
DR 29	52030600	Pg 29
DR 36	52030700	Pg 36

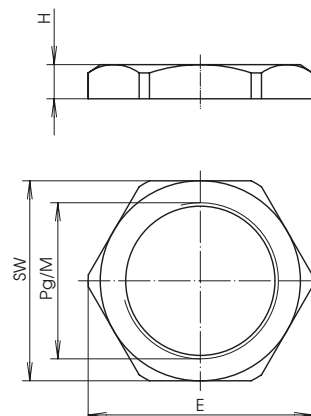
Nitrite-rubber sealing rings for metric-type connection threads

Order designation

Model	Order no.	For connection threads
MDR 12	52050100	M 12 x 1.5
MDR 16	52050200	M 16 x 1.5
MDR 20	52050300	M 20 x 1.5
MDR 25	52050400	M 25 x 1.5
MDR 32	52050500	M 32 x 1.5
MDR 40	52050600	M 40 x 1.5

GM / MGM

Model	Pg	SW*	H	E
GM 7	Pg 7	19	5	21
GM 9	Pg 9	22	5	24
GM 11	Pg 11	24	5	26
GM 13	Pg 13	27	6	29.5
GM 16	Pg 16	30	6	33
GM 21	Pg 21	36	7	39.5
GM 29	Pg 29	46	7	50
GM 36	Pg 36	60	8	66

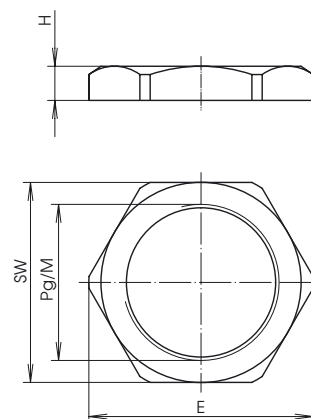


Z-2501613

Model	M	SW*	H	E
MGM 12	M 12 x 1.5	17	5	19
MGM 16	M 16 x 1.5	22	5	25
MGM 20	M 20 x 1.5	27	6	30.5
MGM 25	M 25 x 1.5	32	6	36.5
MGM 32	M 32 x 1.5	41	7	46
MGM 40	M 40 x 1.5	50	7	54

GMS / MGMS

Model	Pg	SW*	H	E
GMS 7	Pg 7	15	2.8	16.6
GMS 9	Pg 9	18	2.8	20
GMS 11	Pg 11	21	3	23.5
GMS 13	Pg 13	23	3	25.5
GMS 16	Pg 16	26	3	29
GMS 21	Pg 21	32	3.5	36
GMS 29	Pg 29	41	4	45
GMS 36	Pg 36	51	5	56



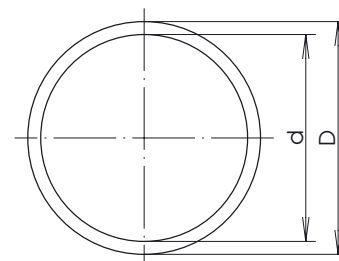
Z-2501613

Model	M	SW*	H	E
MGMS 12	M 12 x 1.5	15	2.8	17
MGMS 16	M 16 x 1.5	19	2.8	21
MGMS 20	M 20 x 1.5	24	3	26.8
MGMS 25	M 25 x 1.5	30	3.5	33.5
MGMS 32	M 32 x 1.5	36	4	39
MGMS 40	M 40 x 1.5	46	5	50

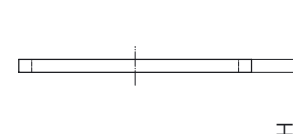
* SW = width across flats

DR / MDR

Model	d	D	H
DR 7	12.5	16.5	2
DR 9	15.2	19	2
DR 11	18.6	22.5	2
DR 13	20.4	25	2
DR 16	22.5	27	2
DR 21	28.3	33.5	3
DR 29	37	43.5	3
DR 36	47	55	3



Model	d	D	H
MDR 12	12	16	2
MDR 16	16	20	2
MDR 20	20	24	2
MDR 25	25	29	2
MDR 32	32	36	2
MDR 40	40	45	2



Z-2501615



Cable glands Accessories



WN

Polyethylene twisting nipple with Pg connection thread for feeding through cables without IP protection or strain relief.



VS BF

Blanking plug for BoplaFlex cable glands not fitted with cables to provide IP 65 ingress protection.



BS

Blind washer for all BoplaCon cable glands. Place the blind washer under the sealing ring if dust protection is required.

WN twisting nipples

Pg twisting nipples made of polyethylene

Order designation		
Model	Order no.	Connection thread
WN 9	52020100	Pg 9
WN 11	52020200	Pg 11
WN 13	52020300	Pg 13.5
WN 16	52020400	Pg 16
WN 21	52020500	Pg 21
WN 29	52020600	Pg 29

VS BF blanking plugs for BoplaFlex cable glands

Blanking plugs made of polyethylene

Order designation		
Model	Order no.	For use with
VS BF 7	10000110	BF 7 / MBF 12
VS BF 9	10000210	BF 9 / MBF 16
VS BF 11	10000310	BF 11
VS BF 13	10000410	BF 13 / MBF 20
VS BF 16	10000510	BF 16
VS BF 21	10000610	BF 21 / MBF 25
VS BF 29	10000710	BF 29
VS BF 32	10000715	MBF 32
VS BF 36	10000810	BF 36
VS BF 40	10000815	MBF 40

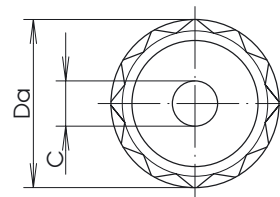
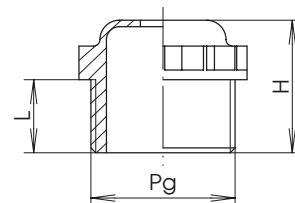
BS blind washers for BoplaCon cable glands

Blind washers made of polyethylene

Order designation		
Model	Order no.	For use with
BS 7	12911280	POZ 7 / POZB 7 / MSS 7 / MSD 7 / MSK 7
BS 9	12911285	POZ 9 / POZB 9 / MSS 9 / MSD 9 / MSK 9
BS 11	12911290	POZ 11 / POZB 11 / MSS 11 / MSD 11 / MSK 11
BS 13	12911300	POZ 13 / POZB 13 / MSS 13 / MSD 13 / MSK 13
BS 16	12911305	POZ 16 / POZB 16 / MSS 16 / MSD 16 / MSK 16
BS 21	12911310	POZ 21 / POZB 21 / MSS 21 / MSK 21
BS 29	12911320	POZ 29 / POZB 29 / MSK 29

WN

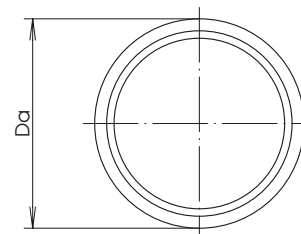
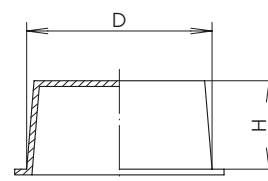
Model	Pg	Outer Ø Pg	C	Da	L	H
WN 9	9	15.2	5 – 9.5	19.3	10.5	19
WN 11	11	18.6	6 – 10.5	21.3	10	20
WN 13	13.5	20.4	8 – 13	24.3	10	20
WN 16	16	22.5	8 – 15	26	11	21
WN 21	21	28.3	10 – 18	32.8	11	20
WN 29	29	37	16 – 24	44.6	12.5	23



Z-2502660

VS BF

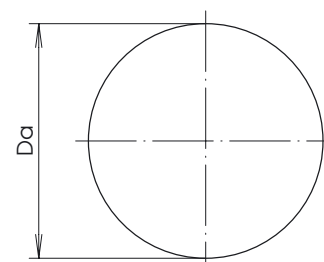
Model	Da	D	H
VS-BF 7	9.5	6.1	9.5
VS-BF 9	11.1	7.7	9.5
VS-BF 11	12.7	9.3	9.5
VS-BF 13	15	11.3	9.5
VS-BF 16	17.5	13.9	11
VS-BF 21	21	17.6	8.5
VS-BF 29	27	23.2	15.9
VS-BF 32	22.2	19.6	12.7
VS-BF 36	36.7	32.5	15.5
VS-BF 40	31.3	27	17.5



Z-2502658

BS

Model	Da
BS 7	10.5
BS 9	13.5
BS 11	17
BS 13	18.5
BS 16	20.5
BS 21	26
BS 29	35



Z-2502659



Cable glands Accessories



BL

Polyamide blind plugs for closing and sealing unused Pg/metric threaded drill holes. For increased protection, please use sealing ring for connection thread DR.



MBL-EX ... PA

Characteristics:

Ingress protection: IP 66
 Temperature range: -55° C / +95° C
 Test standard: EN 50014/
 EN 50019
 EC test certificate: PTB 98 ATEX 3130



MBL-EX ... MS

Characteristics:

Ingress protection: IP 68
 Temperature range: -20° C / +80° C
 Test standard: EN 50014/
 EN 50019
 EC test certificate: DMT 99 ATEX E016

BL/MBL blind plugs

Pg blind plugs made of polyamide

Order designation

Model	Order no.	Connection thread
BL 7	52010000	Pg 7
BL 9	52010100	Pg 9
BL 11	52010200	Pg 11
BL 13	52010300	Pg 13.5
BL 16	52010400	Pg 16
BL 21	52010500	Pg 21
BL 29	52010600	Pg 29
BL 36	52010700	Pg 36

Metric blind plugs made of polyamide

Order designation

Model	Order no.	Connection thread
MBL 12	52011100	M 12 x 1.5
MBL 16	52011200	M 16 x 1.5
MBL 20	52011300	M 20 x 1.5
MBL 25	52011400	M 25 x 1.5
MBL 32	52011500	M 32 x 1.5
MBL 40	52011600	M 40 x 1.5

EX blind plugs MBL-EX



Metric Ex blind plugs made of polyamide

Order designation

Model	Order no.	Connection thread
MBL-EX 16 PA	52013200	M 16 x 1.5
MBL-EX 20 PA	52013300	M 20 x 1.5
MBL-EX 25 PA	52013400	M 25 x 1.5
MBL-EX 32 PA	52013500	M 32 x 1.5
MBL-EX 40 PA	52013600	M 40 x 1.5

Note:

In addition to our cable glands for use in hazardous areas, we offer tested and marked blind plugs made of polyamide and brass. The blind plugs are for use in hazardous areas in equipment group II, categories 2 and 3, with gas explosion protection G, and/or in some cases with dust explosion protection D, in ignition protection types EExe "increased safety" (EN 50019).

Metric Ex blind plugs made of brass

Order designation

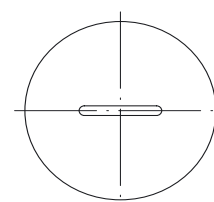
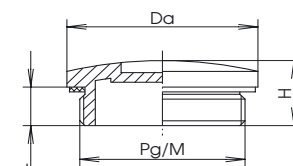
Model	Order no.	Connection thread
MBL-EX 12 MS	52014100	M 12x1.5
MBL-EX 16 MS	52014200	M 16x1.5
MBL-EX 20 MS	52014300	M 20x1.5
MBL-EX 25 MS	52014400	M 25x1.5
MBL-EX 32 MS	52014500	M 32x1.5
MBL-EX 40 MS	52014600	M 40x1.5

Note:

See MBL-EX ... PA

BL / MBL

Model	Pg	DA	L	H
BL 7	Pg 7	15	6	10
BL 9	Pg 9	19	6	10
BL 11	Pg 11	22	6	10
BL 13	Pg 13	25	6	10
BL 16	Pg 16	27	6	10
BL 21	Pg 21	33	8	12.5
BL 29	Pg 29	44.5	8	13
BL 36	Pg 36	55.5	10	15



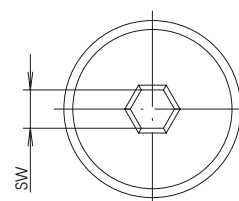
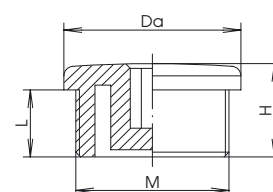
Z-2502633

Model	M	DA	L	H
MBL 12	M 12 x 1.5	15	6	10
MBL 16	M 16 x 1.5	20	6	10.5
MBL 20	M 20 x 1.5	24	6	10.5
MBL 25	M 25 x 1.5	30	8	13
MBL 32	M 32 x 1.5	37	8	13.5
MBL 40	M 40 x 1.5	46	8	14

MBL-EX ... PA

Model	M	SW*	DA	L	H
MBL - EX 16 PA	M 16 x 1.5	8	21	12	16
MBL - EX 20 PA	M 20 x 1.5	8	25	12	16
MBL - EX 25 PA	M 25 x 1.5	8	30	12	16
MBL - EX 32 PA	M 32 x 1.5	8	37	14	19.5
MBL - EX 40 PA	M 40 x 1.5	8	45	14	19.5

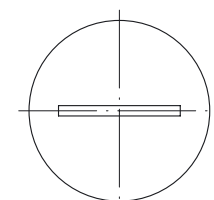
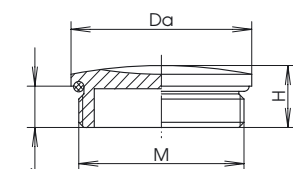
* SW = width across flats



Z-2502630

MBL-EX ... MS

Model	M	DA	L	H
MBL - EX 12 MS	M 12 x 1.5	16	5	8
MBL - EX 16 MS	M 16 x 1.5	20	6	9
MBL - EX 20 MS	M 20 x 1.5	24	6.5	9.5
MBL - EX 25 MS	M 25 x 1.5	28	7	11
MBL - EX 32 MS	M 32 x 1.5	35	8	12
MBL - EX 40 MS	M 40 x 1.5	45	8	12



Z-2502629