

These small square enclosures made of impact-resistant polystyrene provide you with especially low-cost packing for your electronic products.

The standard snap lock ensures that the lids and bases can be assembled quickly and without the need for tools.

If required, the locking function can be permanently fixed by means of screws. Bosses and slot-in grooves are provided inside the enclosures for the fitting of mounting plates or PCBs.

Enclosure material: Impact-resistant polystyrene; for technical data see pages 646-650.

Colour: Lid light grey, similar to RAL 7035; base graphite grey, similar to RAL 7024. As the lid and base are identical, reversed colour schemes are possible. Special colours on request.

Ingress protection: IP 40/DIN EN 60529

Scope of delivery: Lid and base

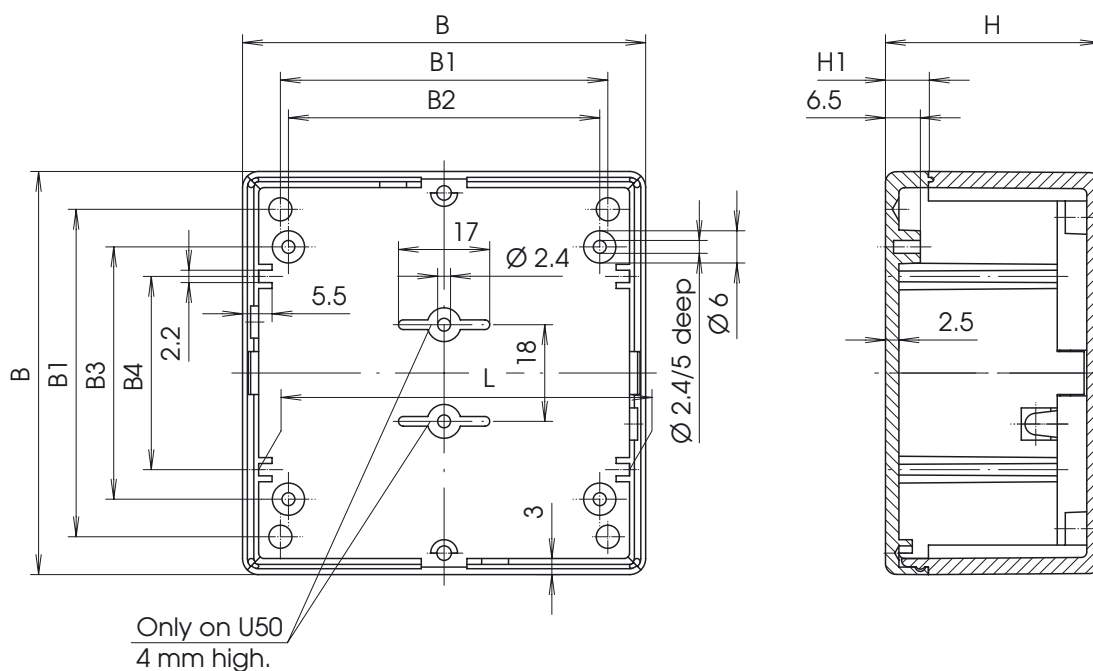
Applications:

Installation of small equipment, PCBs or other electronic components.

Order designation		Ext. dim. / mm	
Model	Order no.	W	H
U 50	06050000	50	30
U 75	06075000	75	40
U 100	06100000	100	60

Table of dimensions

B1	B2	B3	øD1	H1	H2	No. of grooves	L
36	-	-	-	8	6.5	-	-
61	58	47	2.4	8	6.5	4	68.5
85	81	70	2.4	12	6.5	4	93.5



Lid and base are identical and clipped at a 90° angle onto each other.

Z-2802358